

SERIE
SERIES **2001**

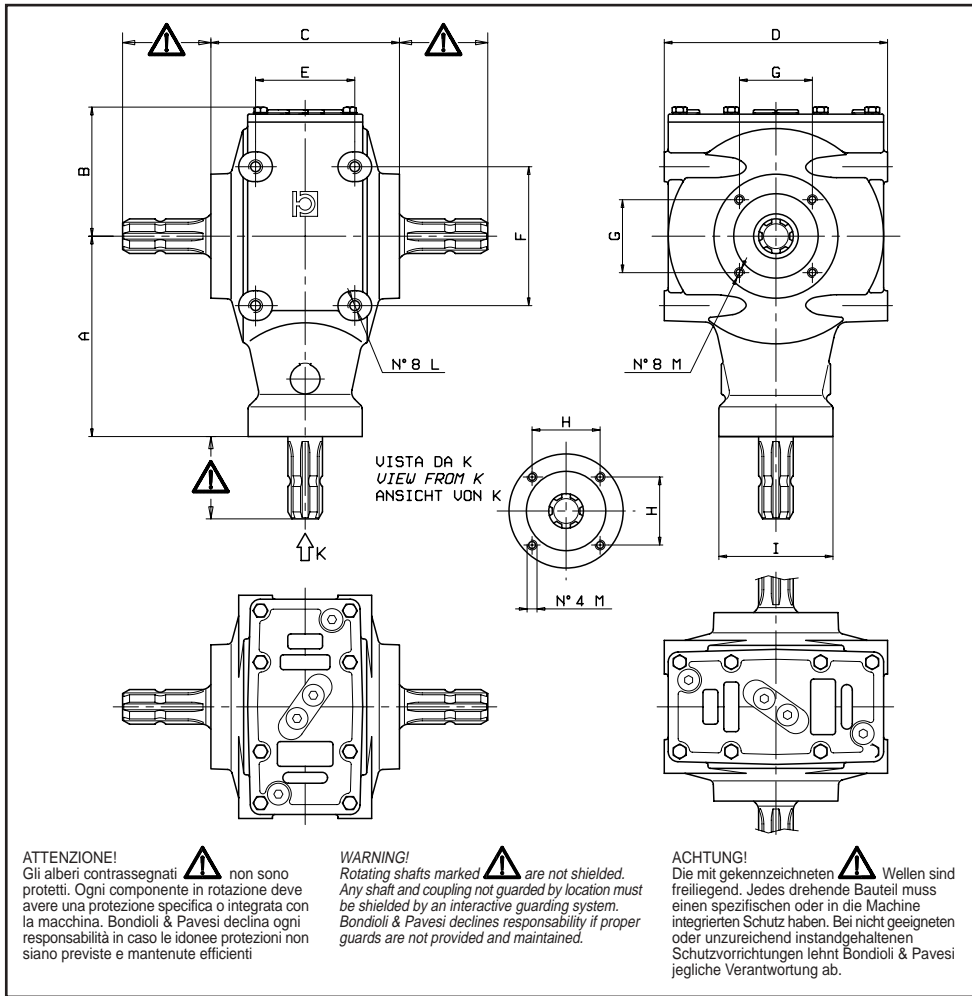


**BONDIOLI
& PAVESI**



SERIE SERIES 2001





TIPO TYPE TYP	A	B	C	D	E	F	G	H	I	L	M
S2021	117	94	144	150	76	101,5	54,4	54,4	92	M10	M8
G2021	4,61"	3,70"	5,67"	5,91"	2,99"	4"	2,14"	2,14"	3,62"	3/8-16UNC	5/16-18UNC
S2041	149	99	164	170	84	114	61,5	61,5	104	M12	M8
G2041	5,87"	3,90"	6,46"	6,69"	3,31"	4,49"	2,42"	2,42"	4,09"	1/2-13UNC	5/16-18UNC
S2061	160	110	170	190	84	114	68,6	68,6	115	M12	M10
G2061	6,30"	4,33"	6,69"	7,48"	3,31"	4,49"	2,70"	2,70"	4,53"	1/2-13UNC	3/8-16UNC
S2071	202	130	190	225	100	140	73,5	68,6	115	M14	M10
G2071	7,95"	5,12"	7,48"	8,86"	3,94"	5,51"	2,89"	2,70"	4,53"	9/16-12UNC	3/8-16UNC
S2081	225	141	210	250	120	150	79	98,6	115	M16	M10
G2081	8,86"	5,55"	8,27"	9,84"	4,72"	5,91"	3,11"	2,70"	4,53"	5/8-11UNC	M103/8
S2201	285	227	300	406	200	255	108	86,3	140	M20	M10
G2201	11,22"	8,94"	11,81"	15,98"	7,87"	10,04"	4,25"	3,4"	5,51"	3/4-10UNC	3/8-16UNC

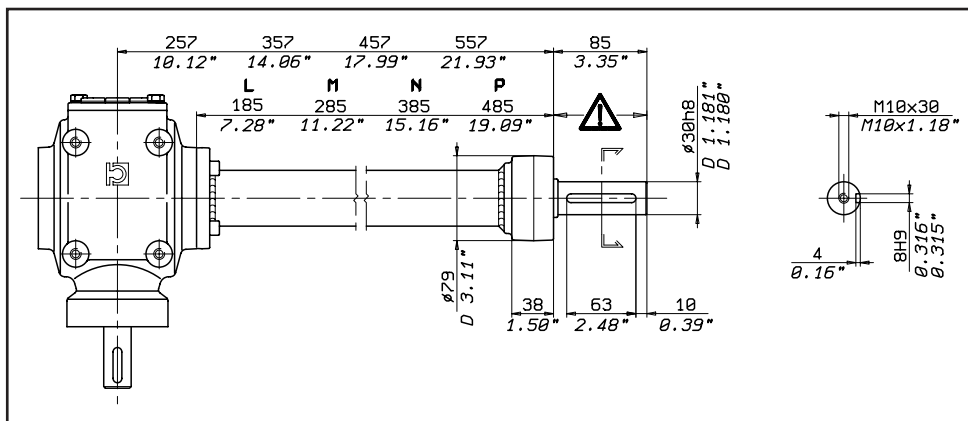
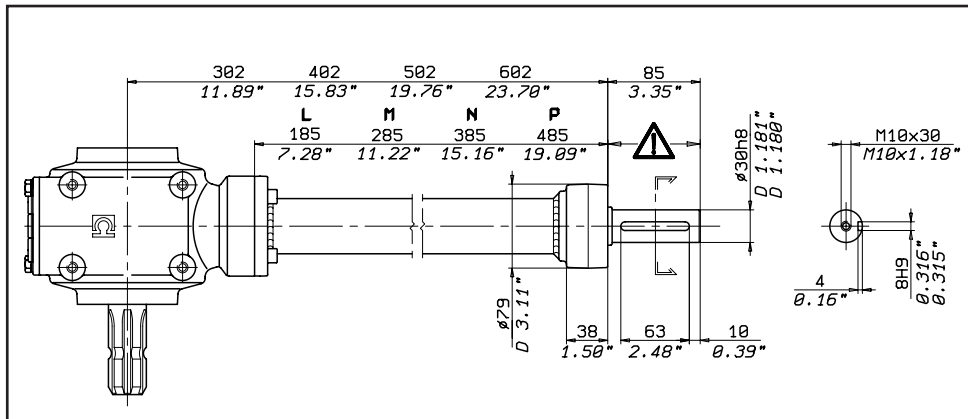
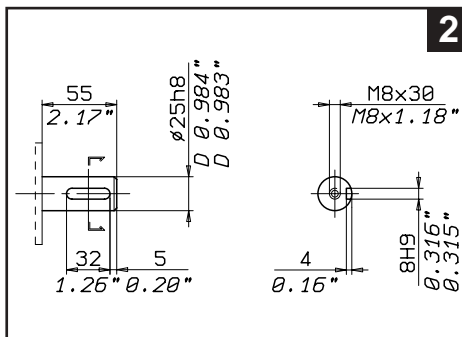
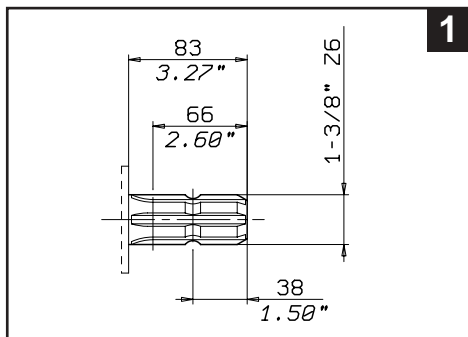
2001

- PRINCIPALI APPLICAZIONI:
TRINCIASTOCCHI,
DECESPUGLIATORI A ROTORE.
- RAPPORTI DA 1,93 A 5,33 IN
MULTIPLICA ED IN RIDUZIONE.
- POTENZE FINO A 107 kW A 540 giri/min.
- SCATOLE MONOBLOCCO IN GHISA.
- VERNICIATURA INTERNA ED
ESTERNA, ESSICAZIONE IN FORNO,
RESISTENZA ALLA CORROSIONE
SECONDO NORMA ASTM B 117-79,
RESISTENZA ALL'OLIO SAE 90 EP
FINO A 125°C (260°F).
- COPPIE CONICHE IN ACCIAIO
CEMENTATO E TEMPRATO,
DENTATURA GLEASON DIRITTA
FINO AL RAPPORTO 3,10,
ELICOIDALE PER RAPPORTI
4,12 - 4,50 - 5,33.
- ALBERI IN ACCIAIO CEMENTATO E
TEMPRATO.
- ANELLI DI TENUTA CON LABBRO
PARAPOLVERE.
- CUSCINETTI DI QUALITÀ PER
ELEVATA AFFIDABILITÀ (L₁₀).
- TYPICAL APPLICATIONS:
FLAIL MOWERS, STALK SHREDDERS.
- RATIOS FROM 1,93 TO 5,33 AS
MULTIPLIER OR AS REDUCER.
- POWER UP TO 107 kW AT 540 r.p.m.
- ONE PIECE CAST IRON CASE MAX
STRENGTH PRECISE POSITIONING
OF INTERNAL COMPONENTS.
- INNER AND OUTER DIPPING AND
OVEN DRYING AT HIGH
TEMPERATURE.
- CORROSION RESISTANCE TO ASTM
B 117-79. CAPABLE OF WORKING UP
TO 125° C (260° F) WITH SAE 90 EP.
- BEVEL GEARS ARE CASE
HARDENED AND TEMPERED STEEL.
GLEASON STRAIGHT CUT TEETH
FOR RATIOS UP TO 3.10, SPIRAL
BEVEL FOR RATIOS 4.12, 4.5 AND
5.33.
- HIGH STRENGTH CASE HARDENED
SHAFTS.
- SEAL RINGS WITH ANTIDUST LIP.
- QUALITY BEARINGS FOR HIGH
RELIABILITY (L₁₀).
- HAUPTSÄCHLICH VERWENDET BEI:
MULCHGERÄTE UND BUSCHHACKER.
- ÜBERSETZUNGSVERHÄLTNISSE
VON 1,93 BIS 5,33 AUCH ALS
UNTERSETZUNG.
- LEISTUNGSBEREICH BIS 107 kW BEI
540 U/min.
- GUß-GETRIEBEGEHÄUSE IN EINEM
STÜCK.
- GEHÄUSE TAUCHGRUNDIERT, IM
EINBRENNVERFAHREN GETROCKNET.
KORROSIONSBESTÄNDIG GEMÄß
NORM ASTM B 117-79.
HITZEBESTÄNDIG BEI SAE 90 EP-
ÖL BIS 125°C(260°F).
- KEGELRÄDER EINSATZGEHÄRTET.
GLEASON-GERADVERZÄHNUNG BIS
ZU ÜBERSETZUNGSVERHÄLTNIS
I=3,10, SPIRALVERZÄHNT BEI I = 4,12-
4,50 UND 5,33.
- WELLEN IN EINSATZGEHÄRTETEM
STAHL.
- WELLENDICHRINGE MIT
STAUBSCHUTZLIPPE.
- QUALITÄTS-WÄLZLAGER FÜR
HÖCHSTE ZUVERLÄSSIGKEIT (L₁₀).

POTENZA a 540 giri/min. - POWER at 540 r.p.m. - LEISTUNG bei 540 U/min.

IMPIEGO USE ANWENDUNG	RAPPORTO RATIO ÜBERSVERH.	2021		2041		2061		2071		2081		2081	
		kW	CV/Hp-PS	kW	CV/Hp-PS	kW	CV/Hp-PS	kW	CV/Hp-PS	kW	CV/Hp-PS	kW	CV/Hp-PS
MULTIPLICATORE SPEED MULTIPLIER ÜBERSETZUNGSGETRIEBE	1:5,33					24	32						
	1:4,50					29	40						
	1:4,12			21	29			45	61	66	90		90
	1:3,90	10	13										
	1:3,10			24	33	38	52	54	73	88	120		120
	1:3,00	14	19										
	1:2,58			28	38	38	52	60	82				
	1:2,54	17	23										
	1:2,46									88	120		120
	1:2,08	21	28	31	42								
	1:1,93					38	52	60	82	107	145		145
1,93:1					25	34	37	50	66	90	147	90	
RIDUTTORE SPEED REDUCER UNTERSETZUNGSGETRIEBE	2,08:1	12	17	19	26								
	2,46:1									46	63	120	63
	2,54:1	9	12										
	2,58:1			15	21	22	30	32	44				
	2,92:1	7	9									96	
	3,00:1			11	15	18	24	24	33	40	55		55
	3,10:1	4	5										
	3,90:1			8	11			18	25	27	37		37
	4,12:1					11	15					27	
	4,50:1					8	11						
5,33:1													

2021

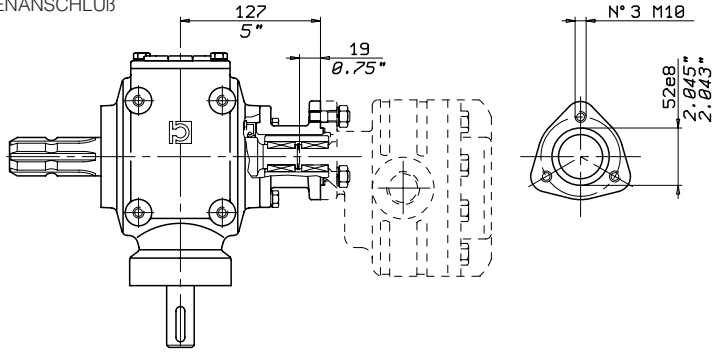


OLIO CONSIGLIATO SAE 90 EP
 QUANTITA' OLIO INDICATIVA 0,7 L
 PESO INDICATIVO SCATOLA 11 kg

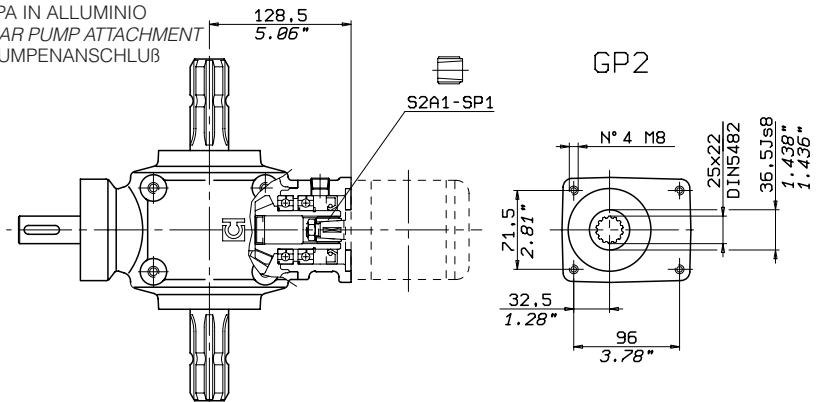
RECOMMENDED OIL GRADE SAE 90 EP
 APPROXIMATE OIL QUANTITY 23 ozs
 APPROXIMATE WEIGHT 24 lbs

EMPFOHLENES ÖL SAE 90 EP
 MENGE ÖL CA. 0,7 L
 GETRIEBEGEWICHT CA. 11 kg

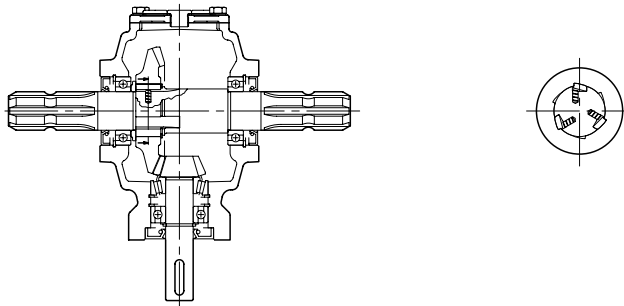
ATTACCO POMPA IN GHISA
 CAST IRON GEAR PUMP ATTACHMENT
 GRAUGÜß - PUMPENANSCHLUß

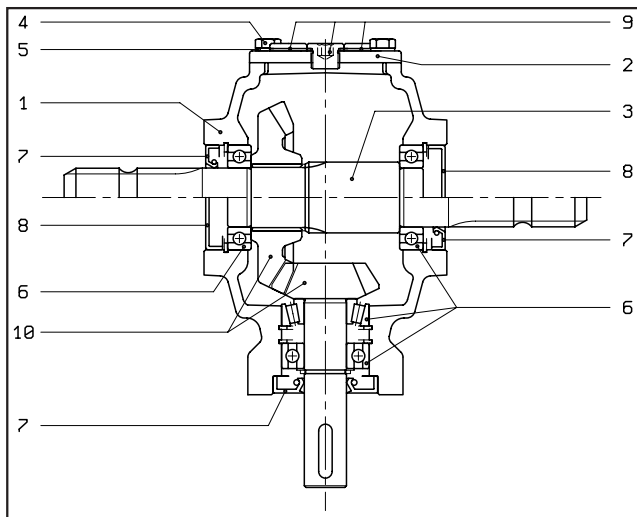


ATTACCO POMPA IN ALLUMINIO
 ALUMINIUM GEAR PUMP ATTACHMENT
 ALUMINIUM - PUMPENANSCHLUß

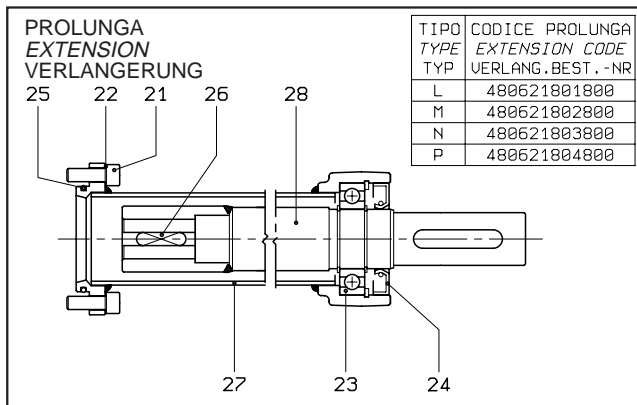


RUOTA LIBERA
 OVERRUNNING CLUTCH
 FREILAUF

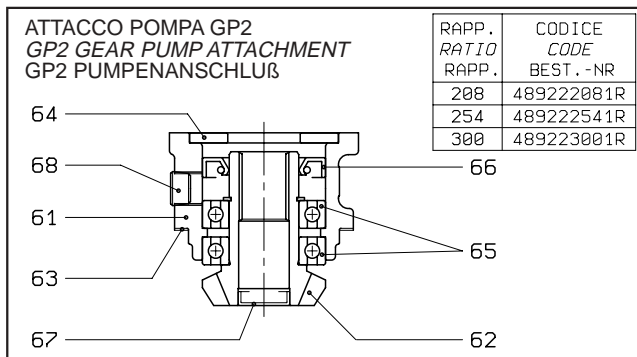




RIF. REF. BEZ.	DESCRIZIONE DESCRIPTION BESCHREIBUNG	CODICE CODE BEST.-NR
1	ISO	290230111
	UNC	290230110
2		298600069
3		*
4		319024200
5		335008002
6	6205	354101025
	6007	354107035
	30205	354403025
7	25x62x10	355013025
	35x62x10	355004035
8	62x10	372004000
9	3/8" GAS	
10		*



RIF. REF. BEZ.	DESCRIZIONE DESCRIPTION BESCHREIBUNG	CODICE CODE BEST.-NR
21		303002400
22		336008001
23	6007	354107035
24	35x62x10	355004035
25		358025000
26		370020000
27	L	580626204
	M	580626203
	N	580626209
	P	580626210
28	L	581161803
	M	581161802
	N	581161806
	P	581161805



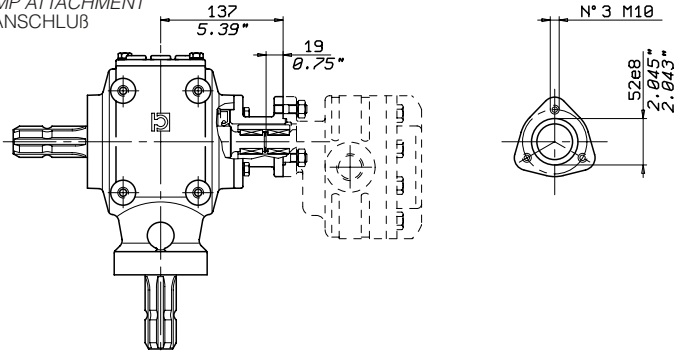
RIF. REF. BEZ.	DESCRIZIONE DESCRIPTION BESCHREIBUNG	CODICE CODE BEST.-NR
61		290230400
62	R = 2,08	292122705
	R = 2,54	292112701
	R = 3,00	292122706
63		298300028
64		298403600
65	6007	354107035
66	35x62x10	355004035
67	26x7	372012000
68	3/8" GAS	373010000

* CODICE A PAGINA SEGUENTE - CODE ON FOLLOWING PAGE - BEST.-NR. FINDEN SIE AUF DER FOLGENDEN SEITE

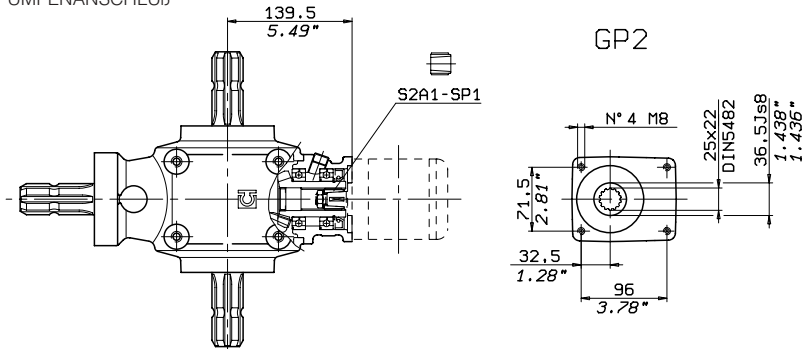
2021

COD. SCATOLA GEAR BOX CODE GETRIEBE BESTELL-NR	RIF. 3 REF. 3 BEZ. 3	RIF. 10 REF. 10 BEZ. 10			
2021208F201	295034066	448122500R			
2021208FP01	295034066	448122500R			
2021208G211	295034055	448122500R			
2021208GL11	295034055	448122500R			
2021208GP11	295034055	448122500R			
2021208R210	295034065	448122500R			
2021208RM10	295034065	448122500R			
2021254G211	295034055	448254401R			
2021300F201	295034066	448300302R			
	295406102	448300302R			
2021300F202	295034055	448300302R			
2021300G211	295034065	448300302R			
2021300R210					
	295406102	448390200R			
2021390F202		448390200R			
2021390G211	295034055	448390200R			
2021390R210	295034065	448390200R			
2021390R220	295406106				

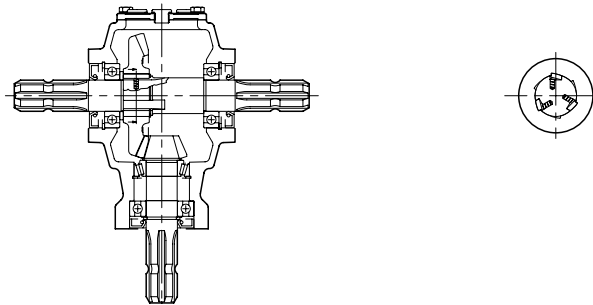
ATTACCO POMPA IN GHISA
 CAST IRON GEAR PUMP ATTACHMENT
 GRAUGÜß - PUMPENANSCHLUß



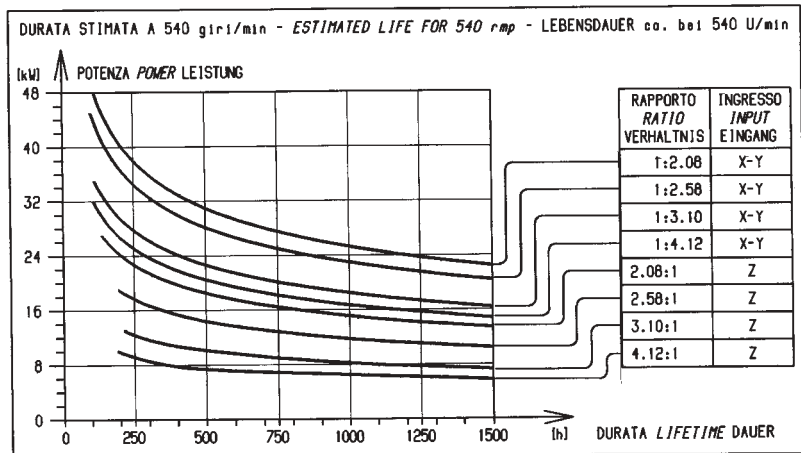
ATTACCO POMPA IN ALLUMINIO
 ALUMINIUM GEAR PUMP ATTACHMENT
 ALUMINIUM - PUMPENANSCHLUß



RUOTA LIBERA
 OVERRUNNING CLUTCH
 FREILAUF



2041



VELOCITA' SPEED DREHZAHL	COEFF. COEFF. KOEFF.
200	0.10
300	0.26
400	0.50
500	0.84
540	1
600	1.27
700	1.82
800	2.47
900	3.24
1000	4.13

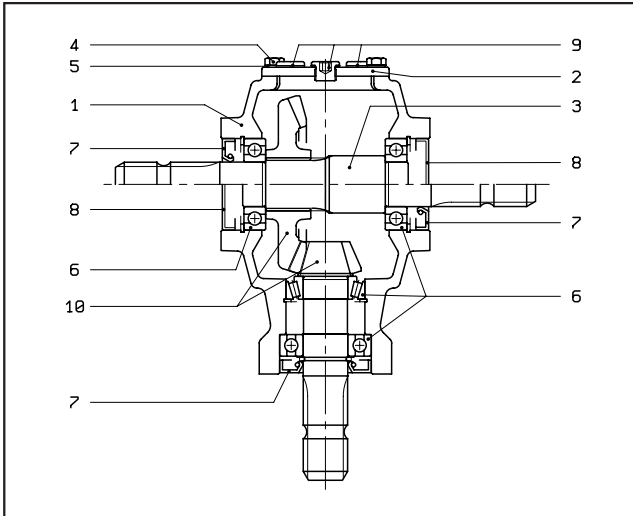
Per ricavare la durata a velocità diversa da 540 giri/min. a parità di potenza, moltiplicare la durata ottenuta dal diagramma per il coefficiente indicato in tabella

To estimate the expected life with a speed different from 540 rpm but with an equal power, multiply the life obtained from the diagram by the coefficient indicated in the table.

Um die Lebensdauer bei gleicher Leistung aber anderer Drehzahl zu ermitteln, ist die per Diagramm ermittelte Lebensdauer mit dem in der Tabelle angegebenen Koeffizienten zu multiplizieren.

CODIFICA - CODES - BESTELLNUMMER

	2	0	4	1						
FILETTATURE THREADS-GEVINDE										
S (ISO) - G (UNC)										
TIPO - TYPE - TYP	2041									
CODICE RAPPORTO - RATIO CODE - BESTELL.-KODE	412 - 310 - 258 - 208									
MONTAGGIO - ARRANGEMENT - MONTAGEART										
<div style="display: flex; justify-content: space-around;"> <div style="text-align: center;"> <p>R</p> </div> <div style="text-align: center;"> <p>F</p> </div> <div style="text-align: center;"> <p>G</p> </div> </div>										
0 (SENZA ALBERO - WITHOUT SHAFT - OHNE WELLE) 1 (TIPO DI ALBERO - SHAFT - WELLENTYP) L, M, N, P (PROLUNGA - EXTENSION - VERLÄNGERUNG)					ASSE Z - Z AXIS - WELLE Z ASSE X - X AXIS - WELLE X ASSE Y - Y AXIS - WELLE Y					



RIF. REF. BEZ.	DESCRIZIONE DESCRIPTION BESCHREIBUNG	CODICE CODE BEST.-NR
1	ISO	290240018
	UNC	290240014
2		298600070
3		*
4		319024200
5		335008002
6	6207	354101035
	32007X	354404035
7	35x72x10	355016035
8	72x10	372003000
9	3/8" GAS	373023001
10		*

**PROLUNGA ASSE Z
Z AXIS EXTENSION
VERLÄNGERUNG WELLE Z**

TIPO TYPE TYP	CODICE PROLUNGA EXTENSION CODE VERLANG. BEST. -NR
L	480721802600
M	480721803600
N	480721804600
P	480721805600

RIF. REF. BEZ.	DESCRIZIONE DESCRIPTION BESCHREIBUNG	CODICE CODE BEST.-NR
21		303002400
22		336008001
23	6207	354101035
24	35x72x10	355016035
25		358026000
26	L	580727202
	M	580727204
	N	580727205
	P	580727217
27	L	581021800
	M	581021801
	N	581021802
	P	581021813

**PROLUNGA ASSE X-Y
X-Y AXIS EXTENSION
VERLÄNGERUNG WELLE X-Y**

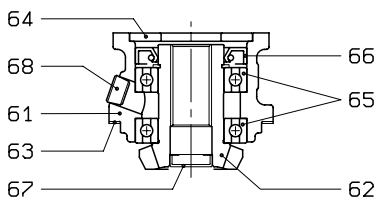
TIPO TYPE TYP	CODICE PROLUNGA EXTENSION CODE VERLANG. BEST. -NR
N	480721905400

RIF. REF. BEZ.	DESCRIZIONE DESCRIPTION BESCHREIBUNG	CODICE CODE BEST.-NR
41		303002400
42		336008001
43	6208	354101040
44	40x80x10	355008040
45		358026000
46	N	580728002
47	N	581021904

2041

ATTACCO POMPA GP2
GP2 GEAR PUMP ATTACHMENT
GP2 PUMPENANSCHLUß

RAPP. RATIO RAPP.	CODICE CODE BEST. -NR
258	489242580R
308	489243080R
310	489243102R

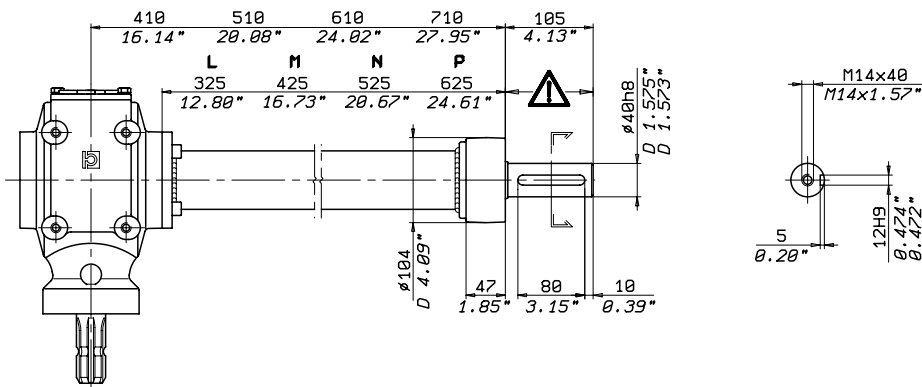
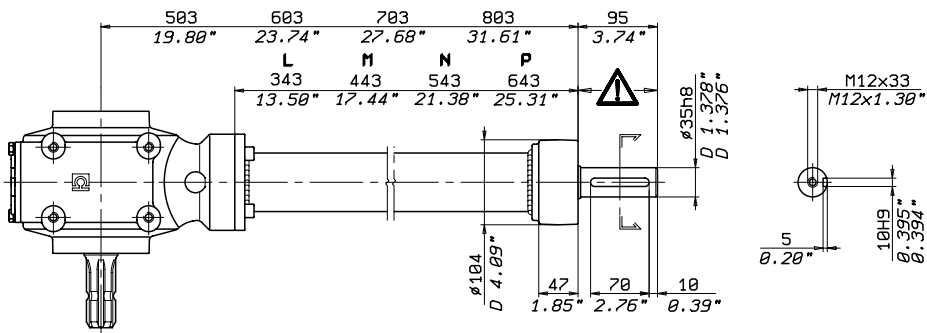
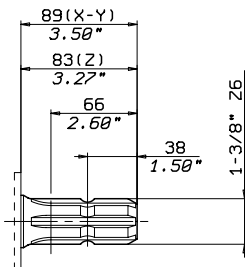


RIF. REF. BEZ.	DESCRIZIONE DESCRIPTION BESCHREIBUNG	CODICE CODE BEST.-NR
61		290400100
62	R = 3,10	292102706
	R = 2,58	292122707
	R = 3,08	292132701
63		298300026
64		298403600
65	6008	354106040
66	40x68x10	355006040
67	26x7	372012000
68	3/8"GAS	373010000

COD. SCATOLA GEAR BOX CODE GETRIEBE BESTELL-NR	RIF. 3 REF. 3 BEZ. 3	RIF. 10 REF. 10 BEZ. 10			
2041208F101	295034046	448208501R			
2041208G111	295030318	448208501R			
2041208R110	295034045	448208501R			
2041258F101	295034046	448258401R			
2041258G111	295030318	448258401R			
2041258R110	295034045	448258401R			
2041258R1N0	295034045	448258401R			
2041310F101	295034046	448308300R			
2041310G111	295030318	448308300R			
2041310GL11	295030318	448308300R			
2041310GP11	295030318	448308300R			
2041310R110	295034045	448308300R			
2041310RM10	295034045	448308300R			
2041310RN10	295034045	448308300R			
2041412F101	295034046	291330800R			
2041412G111	295030318	291330800R			
2041412R110	295034045	291330800R			

2061

1

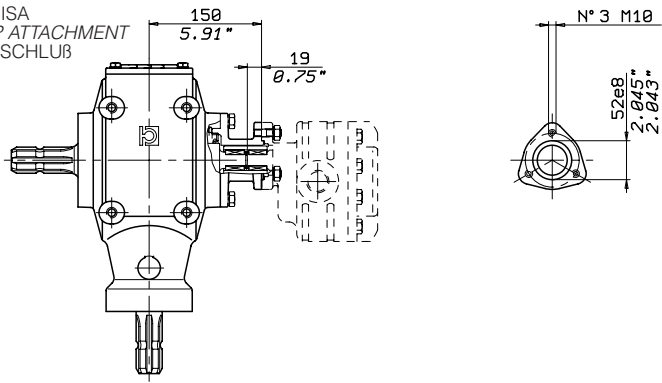


OLIO CONSIGLIATO SAE 90 EP
QUANTITA' OLIO INDICATIVA 1 L
PESO INDICATIVO SCATOLA 19 kg

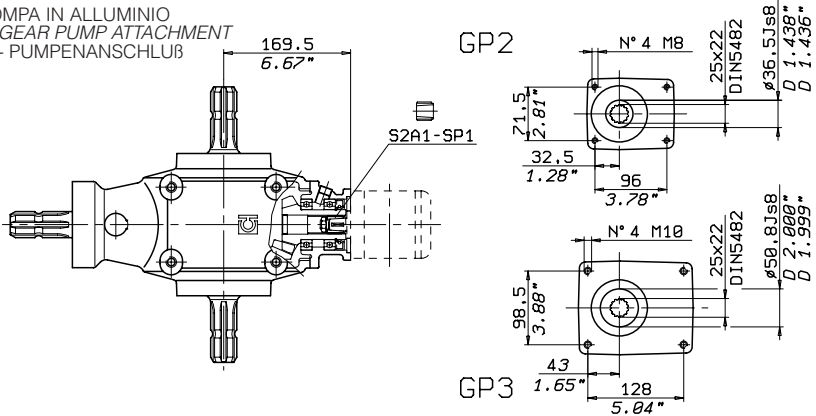
RECOMMENDED OIL GRADE SAE 90 EP
APPROXIMATE OIL QUANTITY 34 ozs
APPROXIMATE WEIGHT 42 lbs

EMPFOHLENES ÖL SAE 90 EP
MENGE ÖL CA. 1 L
GETRIEBEGEWICHT CA. 19 kg

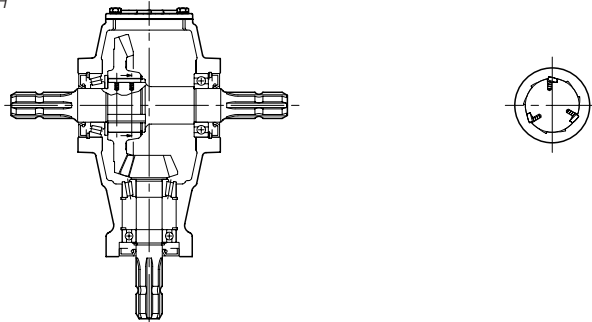
ATTACCO POMPA IN GHISA
 CAST IRON GEAR PUMP ATTACHMENT
 GRAUGÜß - PUMPENANSCHLUß



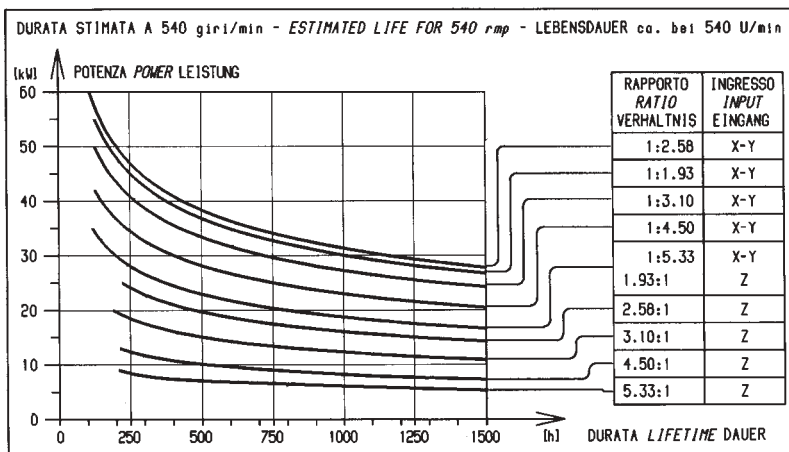
ATTACCO POMPA IN ALLUMINIO
 ALUMINIUM GEAR PUMP ATTACHMENT
 ALUMINIUM - PUMPENANSCHLUß



RUOTA LIBERA
 OVERRUNNING CLUTCH
 FREILAUF



2061



VELOCITA' SPEED DREHZAHL	Coeff. COEFF. KOEFF.
200	0.10
300	0.26
400	0.50
500	0.84
540	1
600	1.27
700	1.82
800	2.47
900	3.24
1000	4.13

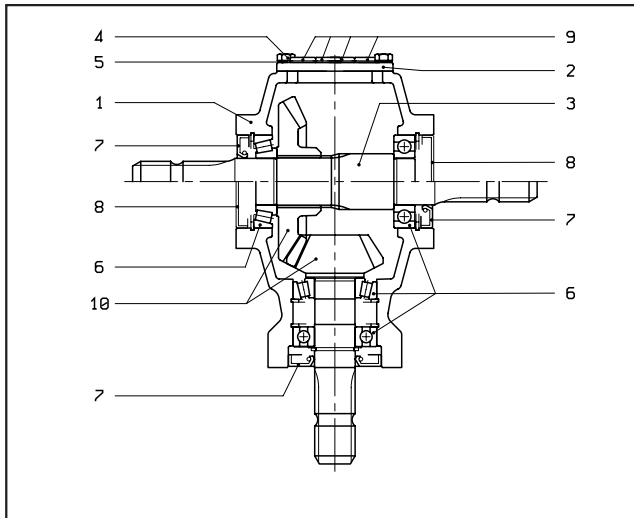
Per ricavare la durata a velocità diversa da 540 giri/min. a parità di potenza, moltiplicare la durata ottenuta dal diagramma per il coefficiente indicato in tabella

To estimate the expected life with a speed different from 540 rpm but with an equal power, multiply the life obtained from the diagram by the coefficient indicated in the table.

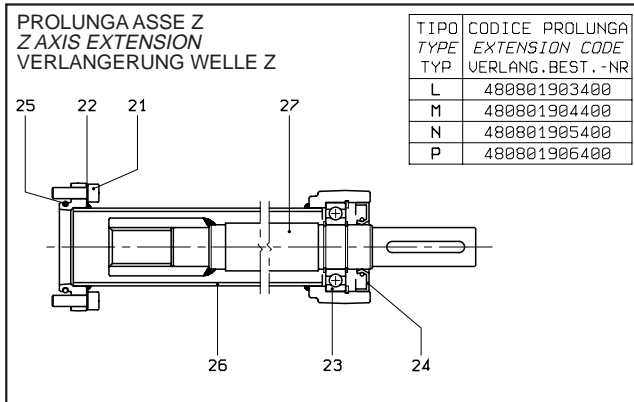
Um die Lebensdauer bei gleicher Leistung aber anderer Drehzahl zu ermitteln, ist die per Diagramm ermittelte Lebensdauer mit dem in der Tabelle angegebenen Koeffizienten zu multiplizieren.

CODIFICA - CODES - BESTELLNUMMER

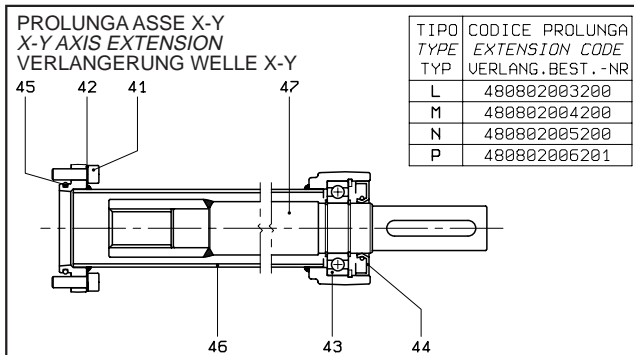
	2	0	6	1					
FILETTATURE THREADS-GEVINDE									
S (ISO) - G (UNC)									
TIPO - TYPE - TYP									
2061									
CODICE RAPPORTO - RATIO CODE - BESTELL.-KODE									
533 - 450 - 310 - 258 - 193									
MONTAGGIO - ARRANGEMENT - MONTAGEART									
<p>0 (SENZA ALBERO - WITHOUT SHAFT - OHNE WELLE) 1 (TIPO DI ALBERO - SHAFT - WELLENTYP) L,M,N,P (PROLUNGA - EXTENSION - VERLÄNGERUNG)</p>		<p>ASSE Z - Z AXIS - WELLE Z</p>		<p>ASSE X - X AXIS - WELLE X</p>		<p>ASSE Y - Y AXIS - WELLE Y</p>			



RIF. REF. BEZ.	DESCRIZIONE DESCRIPTION BESCHREIBUNG	CODICE CODE BEST.-NR
1	ISO	290260205
	ISO r=1,93	290260220
	UNC	290260203
2		29065A008
3		*
4		319024200
5		335008002
6	6207	354101035
	6208	354101040
	30207	354401035
	30208	354401040
7	40x80x10	355008040
	35x80x10	355029035
8	80x10	372005000
9	3/8"GAS	373023001
10		*



RIF. REF. BEZ.	DESCRIZIONE DESCRIPTION BESCHREIBUNG	CODICE CODE BEST.-NR
21		303004400
22		336010001
23	6208	354101040
24	40x80x10	355008040
25		358027000
26	L	580808006
	M	580808001
	N	580808002
	P	580808021
27	L	581021901
	M	581021908
	N	581021900
	P	581021909

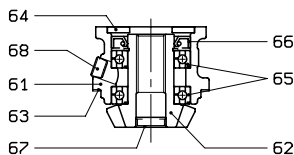


RIF. REF. BEZ.	DESCRIZIONE DESCRIPTION BESCHREIBUNG	CODICE CODE BEST.-NR
41		303004400
42		336010001
43	6209	354100045
44	45x85x10	355030045
45		358027000
46	L	580808503
	M	580808529
	N	580808515
	P	580808511
47	L	581022007
	M	581022058
	N	581022022
	P	581022018

2061

ATTACCO POMPA GP2 GP2 GEAR PUMP ATTACHMENT GP2 PUMPENANSCHLUß

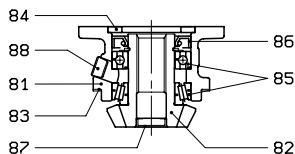
RAPP. RATIO RAPP.	CODICE CODE BEST. -NR
193	489261931R
258	489262581R
308	489263080R
310	489263102R



RIF. REF. BEZ.	DESCRIZIONE DESCRIPTION BESCHREIBUNG	CODICE CODE BEST.-NR
61		290260500
62	R = 1,93	292152700
	R = 2,58	292122701
	R = 3,08	292132700
	R = 3,10	292102704
63		298300025
64		298403600
65	6008	354106040
66	40x68x10	355006040
67	26x7	372012000
68	3/8"GAS	373010000

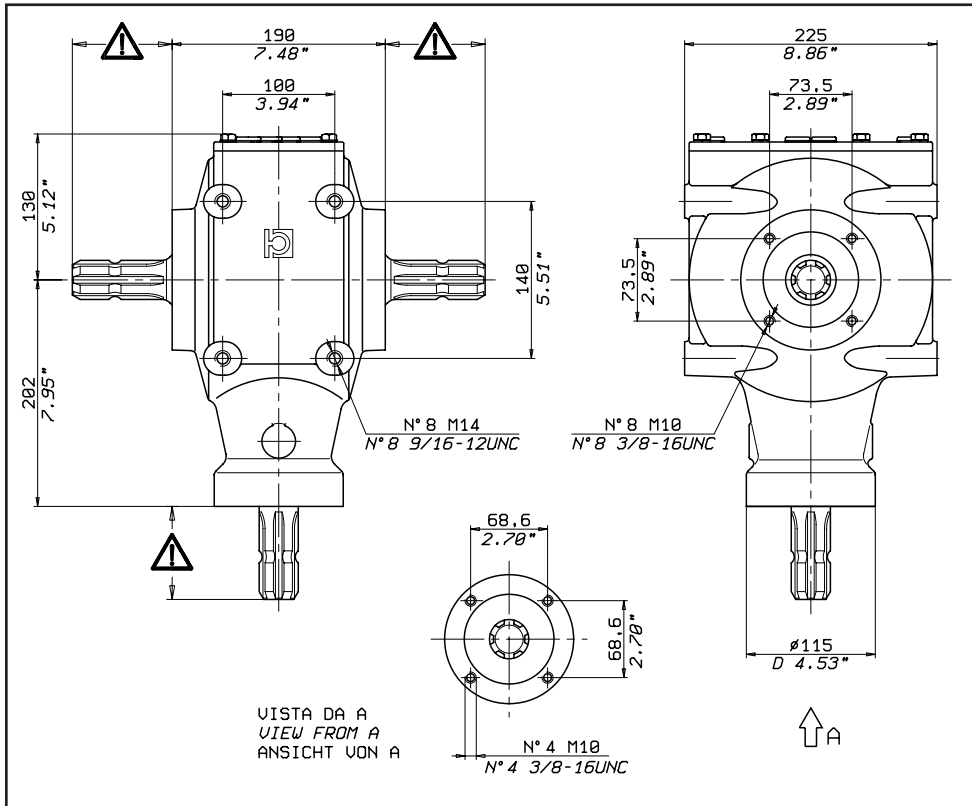
ATTACCO POMPA GP3 GP3 GEAR PUMP ATTACHMENT GP3 PUMPENANSCHLUß

RAPP. RATIO RAPP.	CODICE CODE BEST. -NR
258	489252581R
308	489253080R
310	489253101R



RIF. REF. BEZ.	DESCRIZIONE DESCRIPTION BESCHREIBUNG	CODICE CODE BEST.-NR
81		290260600
82	R = 2,58	292122704
	R = 3,08	292132702
	R = 3,10	292102708
83		298300025
84		298451000
85	6008	354106040
	32008X	354400040
86	40x68x10	355006040
87	26x7	372012000
88	3/8"GAS	373010000

COD.SCATOLA REF. 3 GEAR BOX CODE GETRIEBE BESTELL-NR	RIF. 3 REF. 3 BEZ. 3	RIF. 10 REF. 10 BEZ. 10	COD.SCATOLA REF. 10 GEAR BOX CODE GETRIEBE BESTELL-NR	RIF. 3 REF. 3 BEZ. 3	RIF. 10 REF. 10 BEZ. 10
2061193F101	295034011	448193500R	2061310R110	295034006	448308407R
2061193G111	295034073	448193500R	2061310R1M0	295034006	448308407R
2061193R110	295034006	448193500R	2061310RM10	295034006	448308407R
2061193RL10	295034006	448193500R	2061310RN10	295034006	448308407R
2061193RM10	295034006	448193500R	2061310RP10	295034006	448308407R
2061193RN10	295034006	448193500R			
2061193RP10	295034006	448193500R	2061450F101	295034011	447450401R
			2061450G111	295034073	447450401R
2061258F101	295034011	448258501R	2061450R110	295034006	447450401R
2061258G111	295034073	448258501R			
2061258R110	295034006	448258501R	2061533F101	295034011	447533504R
			2061533G111	295034073	447533504R
2061310F101	295034011	448308407R	2061533R110	295034006	447533504R
2061310FL01	295034011	448308407R	2061533RP10	295034006	447533504R
2061310FP01	295034011	448308407R			
2061310G111	295034073	448308407R			
2061310GM11	295034073	448308407R			
2061310GP11	295034073	448308407R			

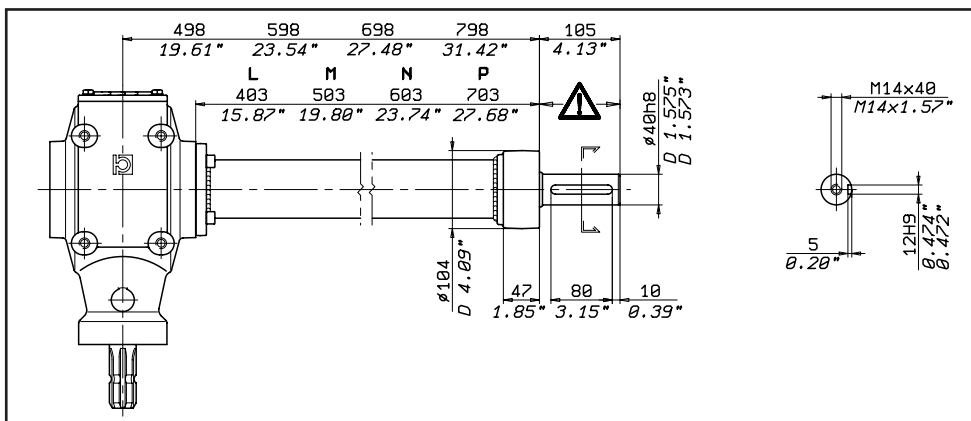
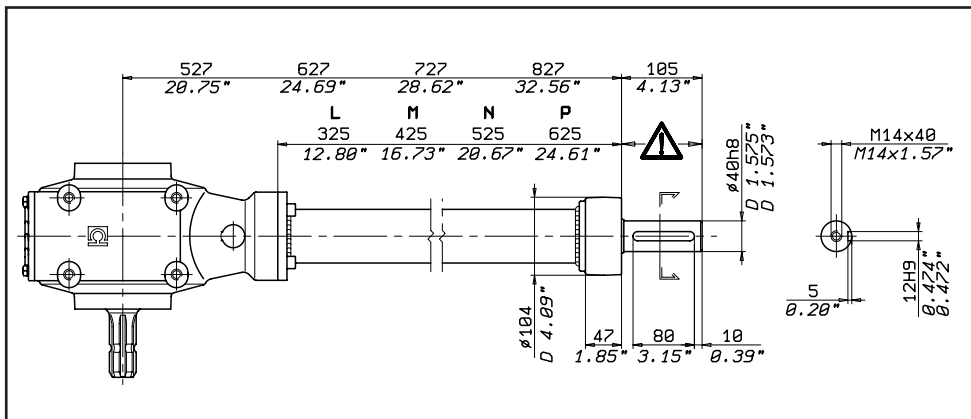
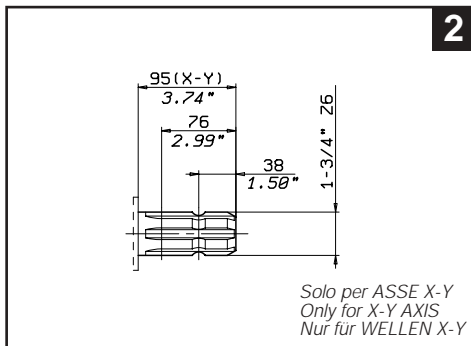
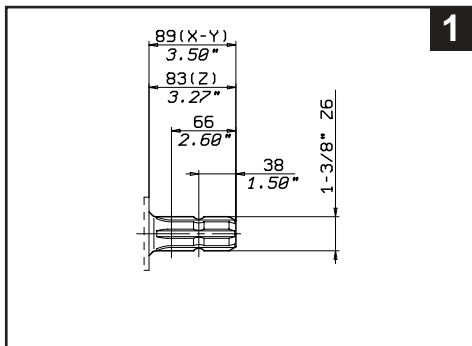


IMPIEGO USE ANWENDUNG	RAPPORTO RATIO ÜBERS.- VERH.	INGRESSO INPUT EINGANG					USCITA OUTPUT AUSGANG			CODICE RAPP. RATIO CODE BESTELL.-KODE	
		giri/min. r.p.m U/min.	P kW	CV-Hp-PS	N•m	M in•lb	N•m	in•lb	giri/min. r.p.m U/min.	Z	X-Y
MULTIPLICATORE SPEED MULTIPLIER ÜBERSETZUNGS- GETRIEBE	* 1:4,11	540	45	61	794	7024	193	1709	2219	-	411
		1000	69	94	660	5845	161	1422	4110	-	411
	1:3,10	540	54	73	950	8406	306	2712	1674	-	310
		1000	82	112	787	6964	254	2246	3100	-	310
	1:2,58	540	60	82	1067	9442	414	3660	1393	-	258
		1000	92	125	878	7772	340	3013	2580	-	258
1:1,93	540	60	82	1067	9442	553	4892	1042	-	193	
	1000	92	125	878	7772	455	4027	1930	-	193	
RIDUTTORE SPEED REDUCER UNTERSETZUNGS- GETRIEBE	1,93:1	540	37	50	651	5757	1256	1112	280	193	-
		1000	57	77	541	4788	1044	9240	518	-	-
	2,58:1	540	32	44	572	5066	1477	13071	209	258	-
		1000	50	68	478	4228	1233	10909	388	-	-
	3,10:1	540	24	33	429	3800	1331	11780	174	310	-
		1000	37	51	358	3171	1111	9831	323	-	-
	** 4,11:1	540	18	25	325	2879	1337	11831	131	411	-
		1000	28	38	267	2363	1097	9711	243	-	-

* **ELICOIDALE**: rotazione in ingresso oraria per montaggio F, antioraria per montaggio R - **HELICOIDAL**: input rotation clockwise for F arrangement, counter-clockwise for R arrangement - **SPIRALVERZAHNT**: Eingangsrehrichtung im Uhrzeigersinn bei Montage F bzw. gegen den Uhrzeigersinn bei Montage R

** **ELICOIDALE**: rotazione in ingresso antioraria - **HELICOIDAL**: input rotation counter-clockwise - **SPIRALVERZAHNT**: Eingangsrehrichtung gegen den Uhrzeigersinn

2071

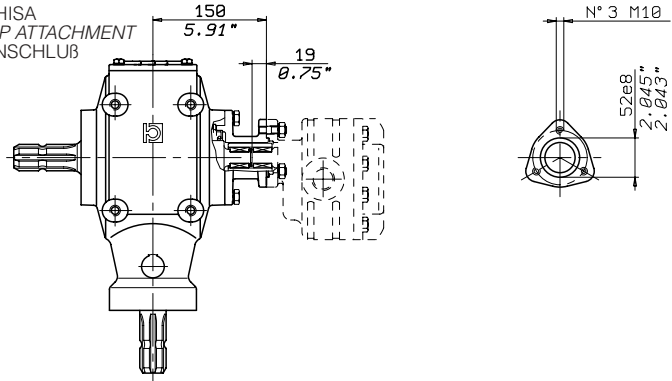


OLIO CONSIGLIATO SAE 90 EP
QUANTITA' OLIO INDICATIVA 1,8 L
PESO INDICATIVO SCATOLA 28 kg

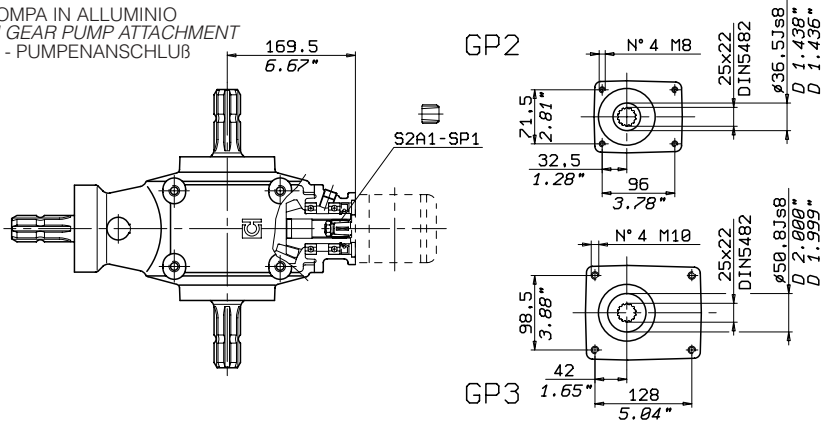
RECOMMENDED OIL GRADE SAE 90 EP
APPROXIMATE OIL QUANTITY 61 ozs
APPROXIMATE WEIGHT 61 lbs

EMPFOHLENES ÖL SAE 90 EP
MENGE ÖL CA. 1,8 L
GETRIEBEGEWICHT CA. 28 kg

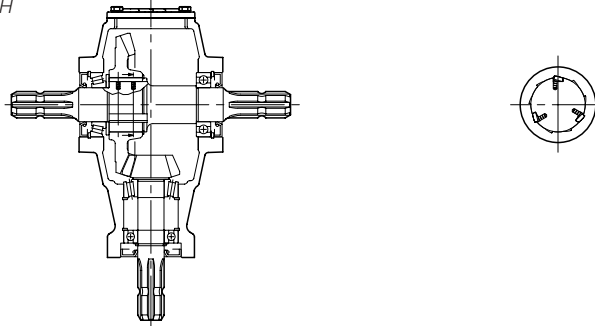
ATTACCO POMPA IN GHISA
 CAST IRON GEAR PUMP ATTACHMENT
 GRAUGÜß - PUMPENANSCHLUß



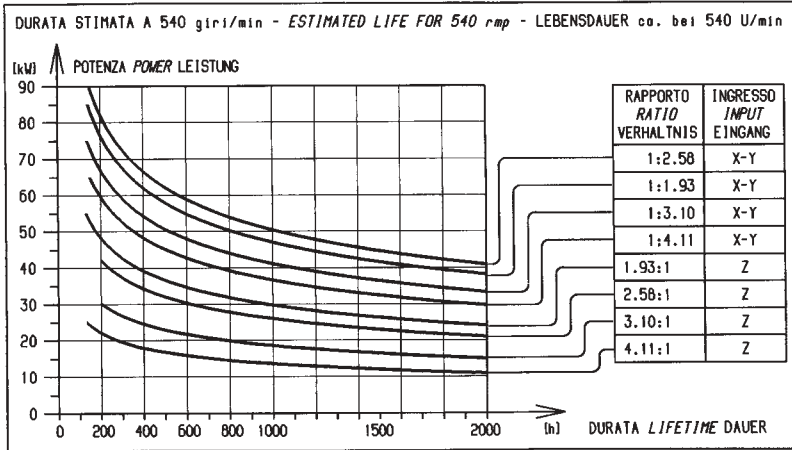
ATTACCO POMPA IN ALLUMINIO
 ALUMINIUM GEAR PUMP ATTACHMENT
 ALUMINIUM - PUMPENANSCHLUß



RUOTA LIBERA
 OVERRUNNING CLUTCH
 FREILAUF



2071



VELOCITA' SPEED DREHZAHL	COEFF. COEFF. KOEFF.
200	0.10
300	0.26
400	0.50
500	0.84
540	1
600	1.27
700	1.82
800	2.47
900	3.24
1000	4.13

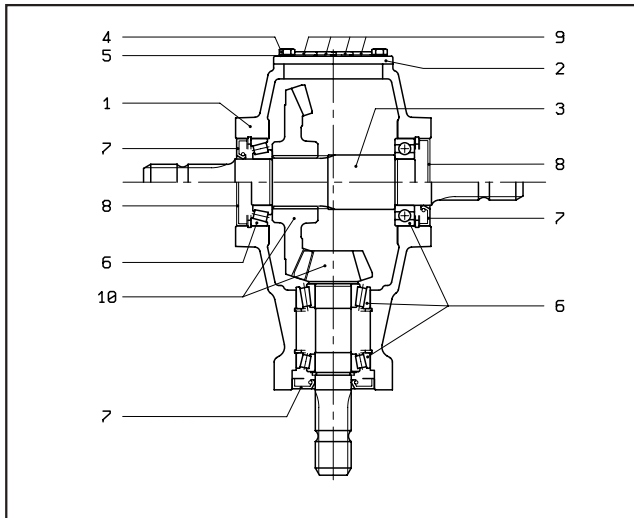
Per ricavare la durata a velocità diversa da 540 giri/min. a parità di potenza, moltiplicare la durata ottenuta dal diagramma per il coefficiente indicato in tabella

To estimate the expected life with a speed different from 540 rpm but with an equal power, multiply the life obtained from the diagram by the coefficient indicated in the table.

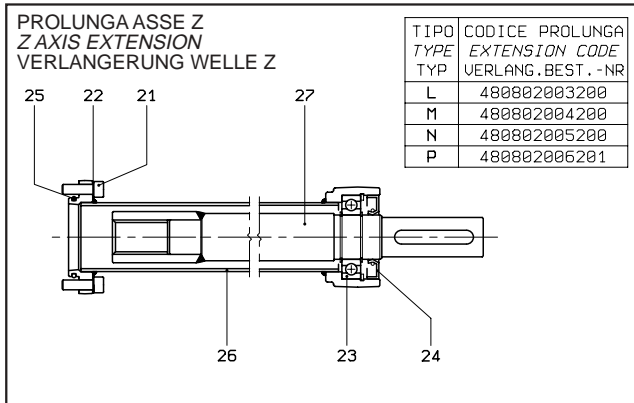
Um die Lebensdauer bei gleicher Leistung aber anderer Drehzahl zu ermitteln, ist die per Diagramm ermittelte Lebensdauer mit dem in der Tabelle angegebenen Koeffizienten zu multiplizieren.

CODIFICA - CODES - BESTELLNUMMER

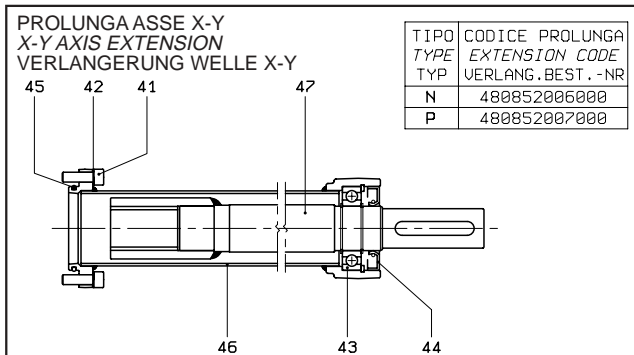
	2	0	7	1							
FILETTATURE THREADS-GEVINDE											
S (ISO) - G (UNC)											
TIPO - TYPE - TYP											
2071											
CODICE RAPPORTO - RATIO CODE - BESTELL.-KODE											
411 - 310 - 258 - 193											
MONTAGGIO - ARRANGEMENT - MONTAGEART											
0 (SENZA ALBERO - WITHOUT SHAFT - OHNE WELLE) 1 (TIPO DI ALBERO - SHAFT - WELLENTYP) L,M,N,P (PROLUNGA - EXTENSION - VERLÄNGERUNG)											
										ASSE Z - Z AXIS - WELLE Z	
										ASSE X - X AXIS - WELLE X	
										ASSE Y - Y AXIS - WELLE Y	



RIF. REF. BEZ.	DESCRIZIONE DESCRIPTION BESCHREIBUNG	CODICE CODE BEST.-NR
1	ISO	290270119
	UNC	290270116
2		29075A003
3		*
4		319024200
5		335008002
6	6209	354100045
	30209	354400045
	30207	354401035
	32207	354407035
7	45x85x10	355030045
	35x80x10	355029035
8	85x10	372006000
9	3/8" GAS	373023001
10		*



RIF. REF. BEZ.	DESCRIZIONE DESCRIPTION BESCHREIBUNG	CODICE CODE BEST.-NR
21		303004400
22		336010001
23	6209	354100045
24	45x85x10	355030045
25		358027000
26	L	580808503
	M	580808529
	N	580808515
	P	580808511
27	L	581022007
	M	581022058
	N	581022022
	P	581022018

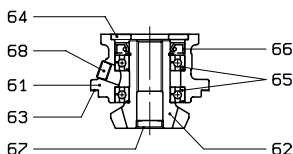


RIF. REF. BEZ.	DESCRIZIONE DESCRIPTION BESCHREIBUNG	CODICE CODE BEST.-NR
41		303004400
42		336010001
43	6209	354100045
44	45x85x10	355030045
45		358028000
46	N	580858514
	P	580858508
47	N	581042007
	P	581042004

* CODICE A PAGINA SEGUENTE - CODE ON FOLLOWING PAGE - BEST.-NR. FINDEN SIE AUF DER FOLGENDEN SEITE

2071

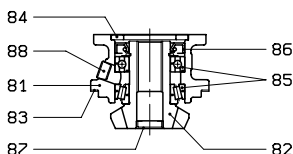
ATTACCO POMPA GP2 GP2 GEAR PUMP ATTACHMENT GP2 PUMPENANSCHLUß



RAPP. RATIO RAPP.	CODICE CODE BEST. -NR
193	489281931R
258	489282581R
308	489283080R
310	489283102R

RIF. REF. BEZ.	DESCRIZIONE DESCRIPTION BESCHREIBUNG	CODICE CODE BEST.-NR
61		290700100
62	R = 1,93	292152701
	R = 2,58	292122703
	R = 3,08	292132703
	R = 3,10	292102707
63		298300027
64		298403600
65	6008	354106040
66	40x68x10	355006040
67	26x7	372012000
68	3/8"GAS	373010000

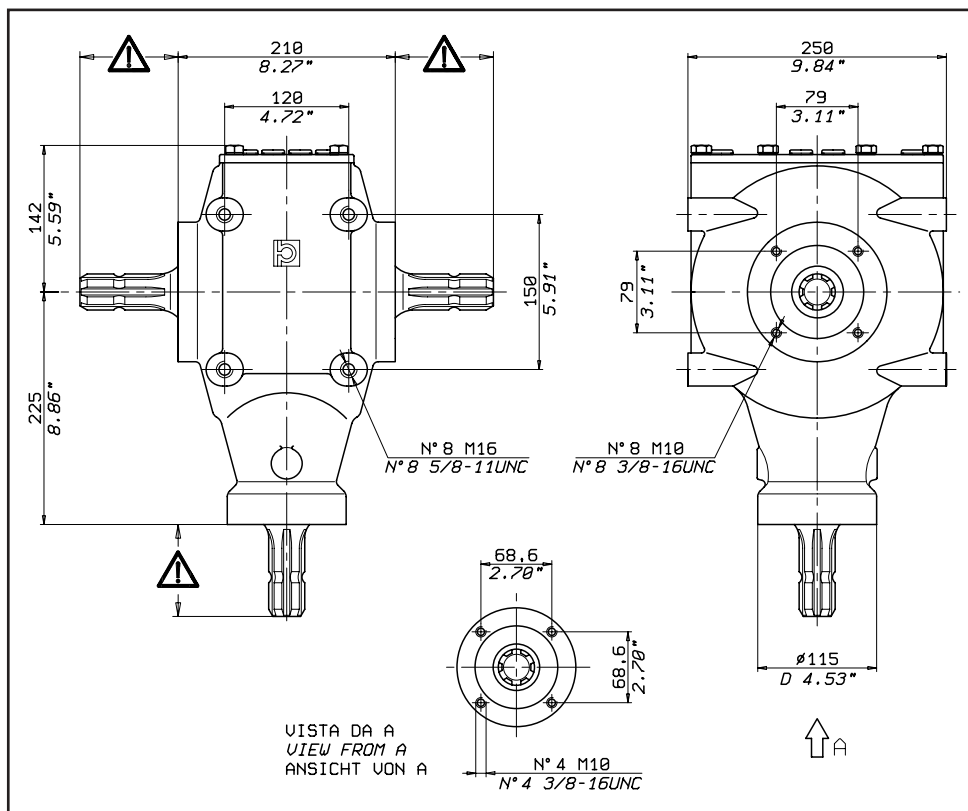
ATTACCO POMPA GP3 GP3 GEAR PUMP ATTACHMENT GP3 PUMPENANSCHLUß



RAPP. RATIO RAPP.	CODICE CODE BEST. -NR
193	489281932R
258	489282582R
308	489283081R
310	489283103R

RIF. REF. BEZ.	DESCRIZIONE DESCRIPTION BESCHREIBUNG	CODICE CODE BEST.-NR
81		290700200
82	R = 3,08	292132703
	R = 3,10	292102707
83		298300027
84		298451000
	6008	354106040
85	32008X	354400040
	40x68x10	355006040
86	40x68x10	355006040
87	26x7	372012000
88	3/8"GAS	373010000

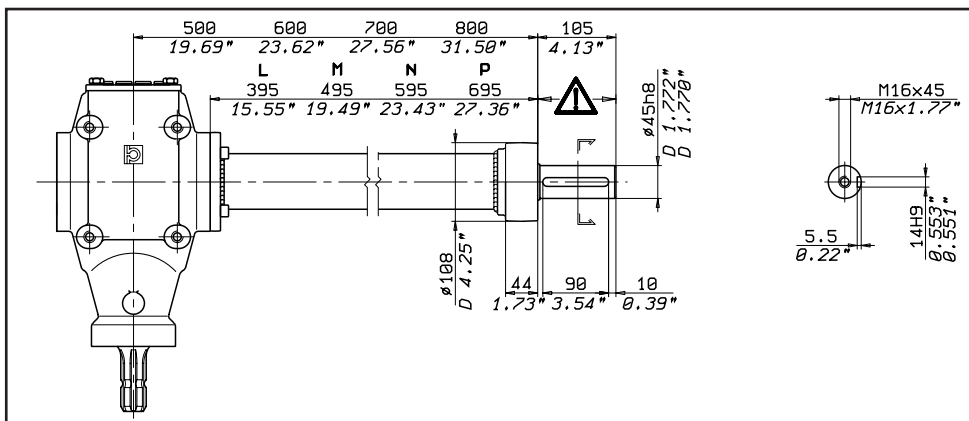
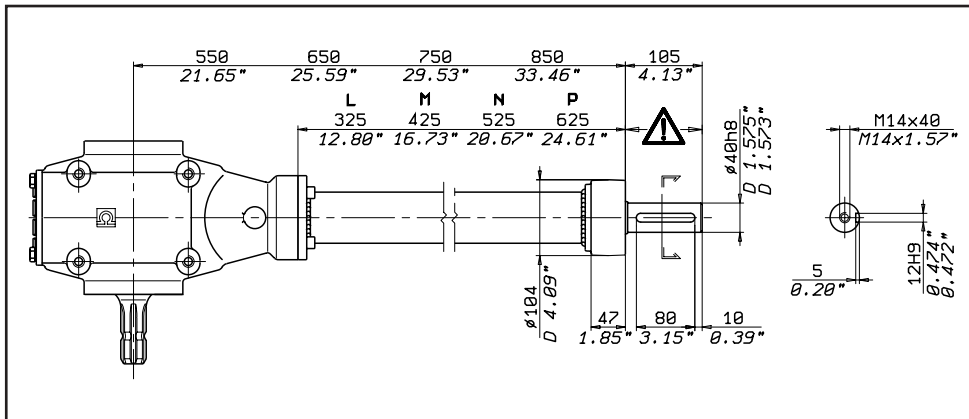
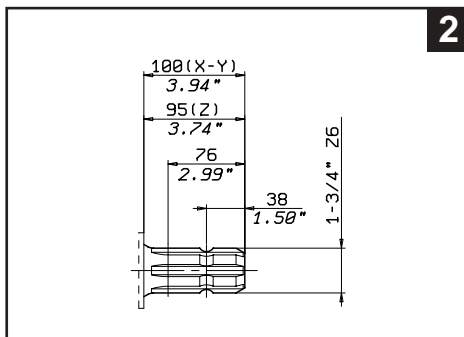
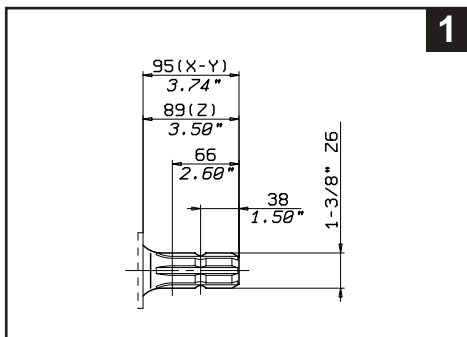
COD.SCATOLA GEAR BOX CODE GETRIEBE BESTELL-NR	RIF. 3 REF. 3 BEZ. 3	RIF. 10 REF. 10 BEZ. 10	COD.SCATOLA GEAR BOX CODE GETRIEBE BESTELL-NR	RIF. 3 REF. 3 BEZ. 3	RIF. 10 REF. 10 BEZ. 10
2071193F101	295034043	448193501R	2071310GP11	295030317	448308401R
2071193G111	295030317	448193501R	2071310R110	295034042	448308401R
2071193GP11	295030317	448193501R	2071310R120	295044021	448308401R
2071193R110	295034042	448193501R	2071310RL10	295034042	448308401R
2071193RL10	295034042	448193501R	2071310RM10	295034042	448308401R
2071193R120	295044021	448193501R	2071310RN10	295034042	448308401R
2071193RN10	295034042	448193501R	2071310RP10	295034042	448308401R
2071193RP10	295034042	448193501R			
			2071411F101	295034043	447411505R
2071258F101	295034043	448258601R	2071411G111	295030317	447411505R
2071258G111	295030317	448258601R	2071411G122	295040408	447411505R
2071258G122	295040408	448258601R	2071411R110	295034042	447411505R
2071258GN22	295040408	448258601R	2071411R120	295044021	447411505R
2071258R110	295034042	448258601R			
2071258RP10	295034042	448258601R			
2071310F101	295034043	448308401R			
2071310G111	295030317	448308401R			



IMPIEGO USE ANWENDUNG	RAPPORTO RATIO ÜBERS.- VERH.	INGRESSO INPUT EINGANG						USCITA OUTPUT AUSGANG		CODICE RAPP. RATIO CODE BESTELL.- KODE	
		giri/min. r.p.m. U/min.	kW	P CV·Hp·PS	N·m	M	in·lb	N·m	in·lb	giri/min. r.p.m. U/min.	Z
MULTIPLICATORE SPEED MULTIPLIER ÜBERSETZUNGS- GETRIEBE	* 1:4,11	540	66	90	1171	10363	285	2521	2219	-	411
		1000	101	138	970	8581	236	2088	4110	-	411
	1:3,10	540	88	120	1561	13818	504	4457	1674	-	310
		1000	136	185	1300	11503	419	3711	3100	-	310
	1:2,46	540	88	120	1561	13818	635	5617	1328	-	246
		1000	136	185	1300	11503	528	4676	2460	-	246
1:1,93	540	107	145	1887	16696	978	8651	1042	-	193	
	1000	162	220	1546	13679	801	7088	1930	-	193	
RIDUTTORE SPEED REDUCER UNTERSETZUNGS- GETRIEBE	1,93:1	540	66	90	1171	10363	2260	20001	280	193	-
		1000	99	135	948	8394	1831	16201	518	-	-
	2,46:1	540	46	63	820	7254	2016	17845	220	246	-
		1000	70	95	667	5907	1642	14531	407	-	-
	3,10:1	540	40	55	716	6333	2218	19633	174	310	-
		1000	62	85	597	5285	1851	16384	323	-	-
** 4,11:1	540	27	37	481	4260	1979	17510	131	411	-	
		1000	40	55	386	3420	1588	14056	243	-	-

* **ELICOIDALE**: rotazione in ingresso oraria per montaggio F, antioraria per montaggio R - **HELICOIDAL**: input rotation clockwise for F arrangement, counter-clockwise for R arrangement - **SPIRALVERZAHNT**: Eingangsrehrichtung im Uhrzeigersinn bei Montage F bzw. gegen den Uhrzeigersinn bei Montage R
 ****ELICOIDALE**: rotazione in ingresso antioraria - **HELICOIDAL**: input rotation counter-clockwise - **SPIRALVERZAHNT**: Eingangsrehrichtung gegen den Uhrzeigersinn

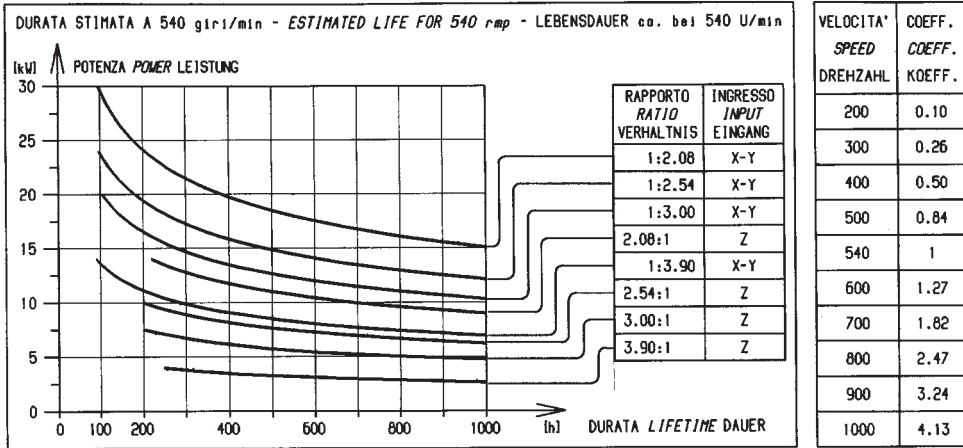
2081



OLIO CONSIGLIATO SAE 90 EP
 QUANTITA' OLIO INDICATIVA 2,5 L
 PESO INDICATIVO SCATOLA 35 kg

RECOMMENDED OIL GRADE SAE 90 EP
 APPROXIMATE OIL QUANTITY 85 ozs
 APPROXIMATE WEIGHT 77 lbs

EMPFOHLENES ÖL SAE 90 EP
 MENGE ÖL CA. 2,5 L
 GETRIEBEGEWICHT CA. 35 kg

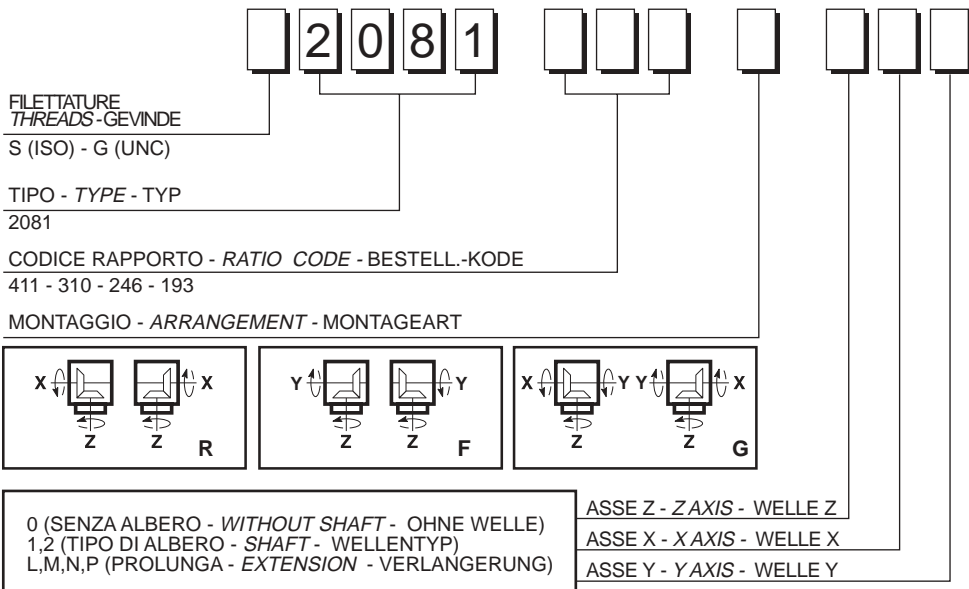


Per ricavare la durata a velocità diversa da 540 giri/min. a parità di potenza, moltiplicare la durata ottenuta dal diagramma per il coefficiente indicato in tabella

To estimate the expected life with a speed different from 540 rpm but with an equal power, multiply the life obtained from the diagram by the coefficient indicated in the table.

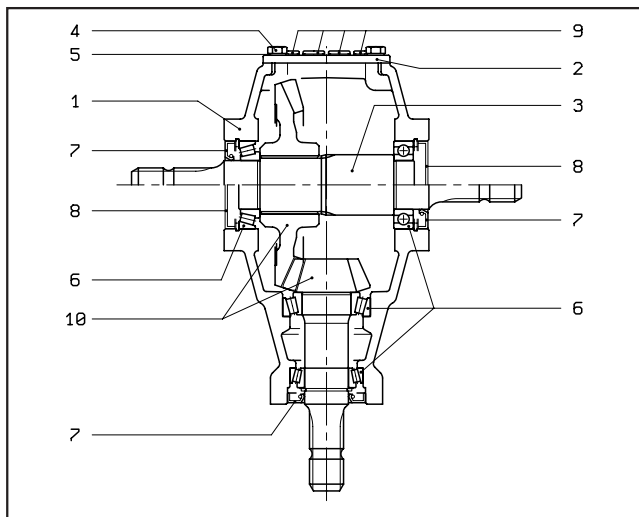
Um die Lebensdauer bei gleicher Leistung aber anderer Drehzahl zu ermitteln, ist die per Diagramm ermittelte Lebensdauer mit dem in der Tabelle angegebenen Koeffizienten zu multiplizieren.

CODIFICA - CODES - BESTELLNUMMER

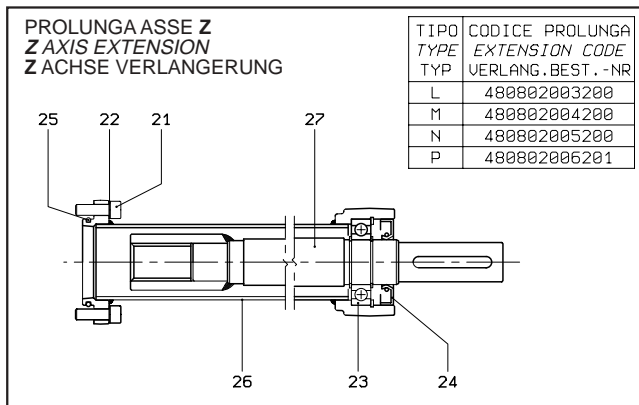


2081

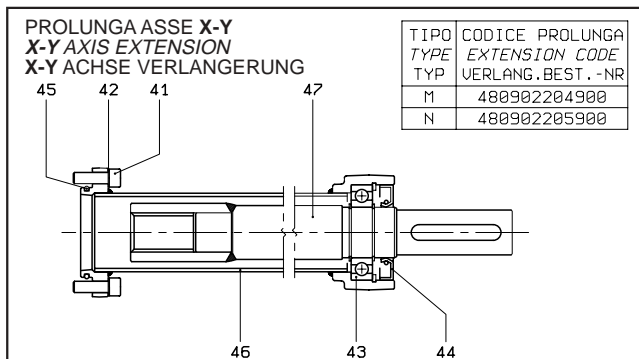
**RICAMBI
SPARE PARTS
ERSATZTEILE**



RIF. REF. BEZ.	DESCRIZIONE DESCRIPTION BESCHREIBUNG	CODICE CODE BEST.-NR
1		*
2		29085A004
3		*
4		319001220
5		335010002
6	6210	354103050
	30210	354400050
	32210	354401050
	33210	354402050
	32009	354407045
7	50x90x10	355020050
	45x80x10	355016045
8	90x10	372007000
9	3/8" GAS	373023001
10		*



RIF. REF. BEZ.	DESCRIZIONE DESCRIPTION BESCHREIBUNG	CODICE CODE BEST.-NR
21		303004400
22		336010001
23	6209	354100045
24	45x85x10	355030045
25		358027000
26	L	580808503
	M	580808529
	N	580808515
	P	580808511
27	L	581022007
	M	581022058
	N	581022022
	P	581161806
		581022016



RIF. REF. BEZ.	DESCRIZIONE DESCRIPTION BESCHREIBUNG	CODICE CODE BEST.-NR
41		303004400
42		336010001
43	6210	354103050
44	50x90x10	355020050
45		358029000
46	M	580909005
	N	580909006
47	M	581042202
	N	581042203

* CODICE A PAGINA SEGUENTE - CODE ON FOLLOWING PAGE - BEST.-NR. FINDEN SIE AUF DER FOLGENDEN SEITE
130

COD. SCATOLA GEAR BOX CODE GETRIEBE BESTELL-NR	RIF. 1 ISO REF. 1 ISO BEZ. 1 ISO	RIF. 1 UNC REF. 1 UNC BEZ. 1 UNC	RIF. 3 REF. 3 BEZ. 3	RIF. 10 REF. 10 BEZ. 10
2081193F101	290280200	290280212	295034022	448193601R
2081193F102	290280200	290280212	295044007	448193601R
2081193F10M	290280200	290280212	295044007	448193601R
2081193F201	290280200	290280212	295034022	448193602R
2081193F202	290280200	290280212	295044007	448193602R
2081193G111	290280200	290280212	295030304	448193601R
2081193G122	290280200	290280212	295040402	448193601R
2081193G211	290280200	290280212	295030304	448193602R
2081193G222	290280200	290280212	295040402	448193602R
2081193R110	290280200	290280212	295034021	448193601R
2081193R120	290280200	290280212	295044006	448193601R
2081193R210	290280200	290280212	295034021	448193602R
2081193R220	290280200	290280212	295044006	448193602R
2081193RM10	290280200	290280212	295034021	448193601R
2081246F101	290280000	290280011	295034022	448246600R
2081246F102	290280000	290280011	295044007	448246600R
2081246F201	290280000	290280011	295034022	448246601R
2081246F202	290280000	290280011	295044007	448246601R
2081246G111	290280000	290280011	295030304	448246600R
2081246G122	290280000	290280011	295040402	448246600R
2081246G211	290280000	290280011	295030304	448246601R
2081246G222	290280000	290280011	295040402	448246601R
2081246R110	290280000	290280011	295034021	448246600R
2081246R120	290280000	290280011	295044006	448246600R
2081246R210	290280000	290280011	295034021	448246601R
2081246R220	290280000	290280011	295044006	448246601R
2081310F101	290280000	290280011	295034022	448308501R
2081310F102	290280000	290280011	295044007	448308501R
2081310F201	290280000	290280011	295034022	448308504R
2081310F202	290280000	290280011	295044007	448308504R
2081310G111	290280000	290280011	295030304	448308501R
2081310G122	290280000	290280011	295040402	448308501R
2081310G211	290280000	290280011	295030304	448308504R
2081310G222	290280000	290280011	295040402	448308504R
2081310R110	290280000	290280011	295034021	448308501R
2081310R120	290280000	290280011	295044006	448308501R
2081310R210	290280000	290280011	295034021	448308504R
2081310R220	290280000	290280011	295044006	448308504R
2081411F101	290280000	290280011	295034022	447411500R
2081411F102	290280000	290280011	295044007	447411500R
2081411G111	290280000	290280011	295030304	447411500R
2081411G122	290280000	290280011	295040402	447411500R
2081411R110	290280000	290280011	295034021	447411500R
2081411R120	290280000	290280011	295044006	447411500R
2081411R220	290280000	290280011	295044006	447411501R
2081411R1N0	290280000	290280011	295044006	447411500R

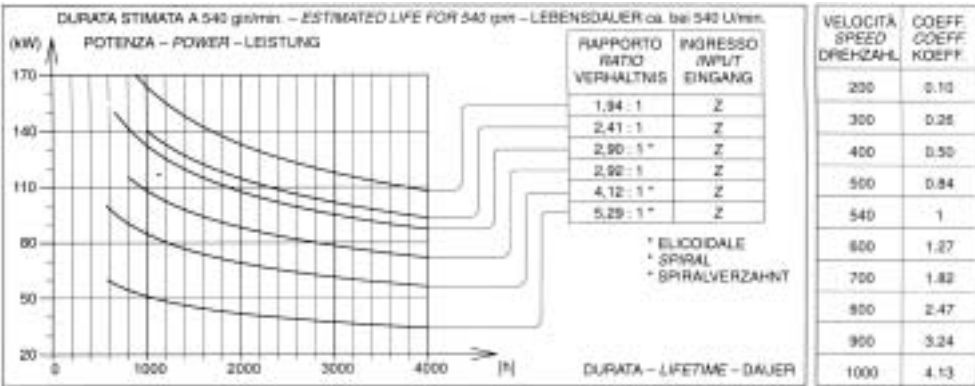
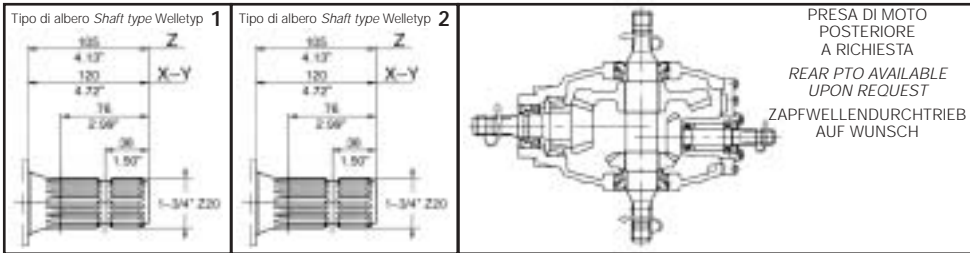
2201

Attenzione! Gli alberi contrassegnati non sono protetti. Ogni componente in rotazione deve avere una protezione specifica o integrata con la macchina. Bondioli & Pavesi declina ogni responsabilità in caso le idonee protezioni non siano previste e mantenute efficienti

WARNING! Rotating shafts marked are not shielded. Any shaft and coupling not guarded by location must be shielded by an interactive guarding system. Bondioli & Pavesi declines responsibility if proper guards are not provided and maintained.

ACHTUNG! Die mit gekennzeichneten Wellen sind freiliegend. Jedes drehende Bauteil muss einen spezifischen oder in die Maschine integrierten Schutz haben. Bei nicht geeigneten oder unzureichend instandgehaltenen Schutzvorrichtungen lehnt Bondioli & Pavesi jegliche Verantwortung ab.

IMPIEGIO USE ANWENDUNG	RAPPORTO RATIO ÜBERS.- VERH.	INGRESSO INPUT EINGANG					USCITA X-Y OUTPUT X-Y AUSGANG X-Y			CODICE RAPP. RATIO CODE BESTELL.- KODE	
		giri/min. r.p.m U/min.	kW	P CV-Hp-PS	N•m	M in•lb	N•m	in•lb	giri/min. r.p.m U/min.		
RIDUTTORE SPEED REDUCER UNTERSETZUNGS- GETRIEBE	1,94:1	540	147	200	2600	23000	5044	44640	278	194	
		1000	220	300	2100	18590	5061	44795	515		
	2,41:1	540	120	162	2100	18590	5061	44795	224	241	
		1000	184	250	1755	15530	4230	37440	415		
	2,92:1	540	96	130	1690	14960	4935	43680	185	292	
		1000	147	200	1400	12390	4088	36183	342		
	* 2,90:1	540	120	162	2100	18590	6090	53900	186	290	ELICOIDALE: rotazione in ingresso antioraria SPIRAL: counter-clockwise rotation of the input shaft spiraldrehung: Eingangsdrehrichtung gegen den Uhrzeigersinn
		1000	184	250	1755	15530	5089	45043	345		
	* 4,12:1	540	74	100	1300	11500	5356	47406	131	412	
		1000	114	155	1090	9640	4490	39740	243		
	* 5,29:1	540	46	62	800	7080	4232	37457	102	529	
		1000	66	90	630	5570	3333	29500	189		



Per ricavare la durata a velocità diversa da 540 giri/min. a parità di potenza, moltiplicare la durata ottenuta dal diagramma per il coefficiente indicato in tabella

To estimate the expected life with a speed different from 540 rpm but with an equal power, multiply the life obtained from the diagram by the coefficient indicated in the table.

Um die Lebensdauer bei gleicher Leistung aber anderer Drehzahl zu ermitteln, ist die per Diagramm ermittelte Lebensdauer mit dem in der Tabelle angegebenen Koeffizienten zu multiplizieren.

CODIFICA
CODES
BESTELLNUMMER

FILETTATURE
THREADS-GEVINDE

S (ISO) - G (UNC)

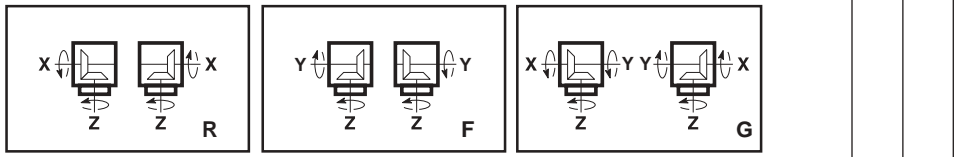
TIPO - TYPE - TYP

2201

CODICE RAPPORTO - RATIO CODE - BESTELL.-KODE

529 - 412 - 290 - 292 - 241 - 194

MONTAGGIO - ARRANGEMENT - MONTAGEART

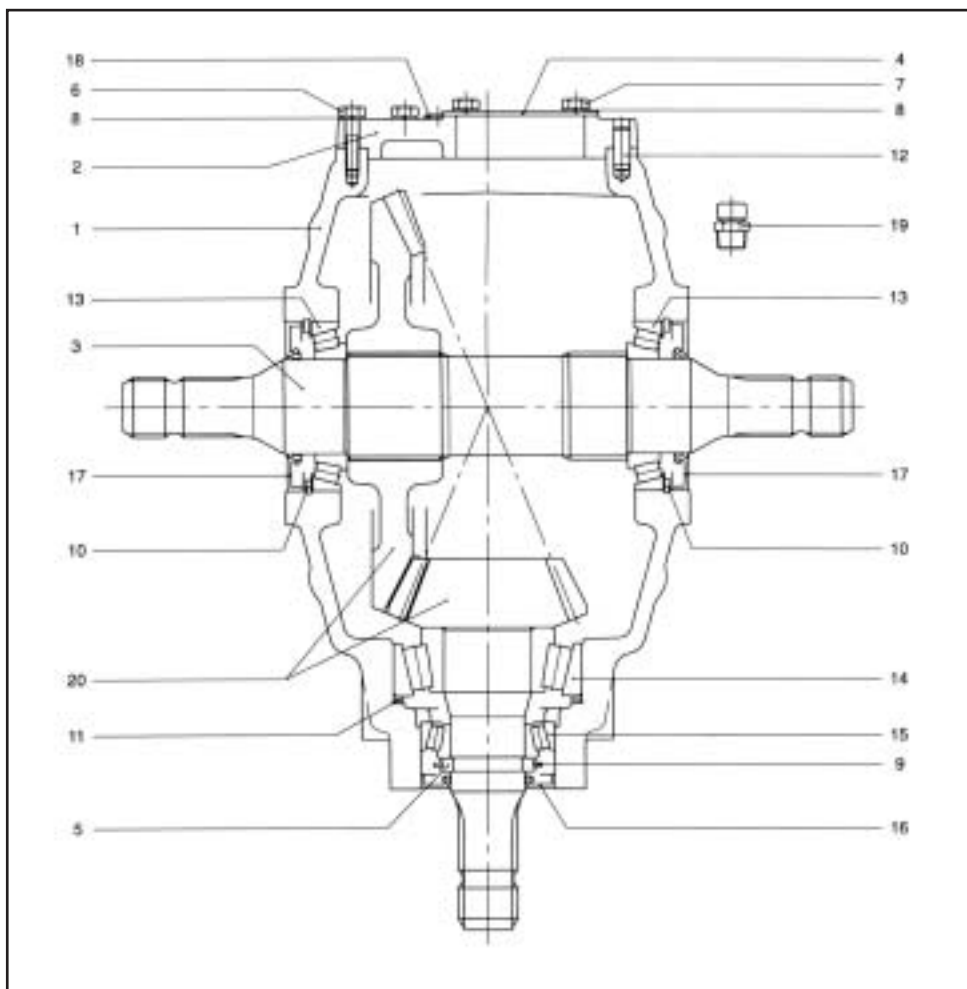


0 (SENZA ALBERO - WITHOUT SHAFT - OHNE WELLE)
1,2 (TIPO DI ALBERO - SHAFT - WELLENTYP)

ASSE Z - Z AXIS - WELLE Z
ASSE X - X AXIS - WELLE X
ASSE Y - Y AXIS - WELLE Y

OLIO CONSIGLIATO	SAE 90 EP	RECOMMENDED OIL GRADE	SAE 90 EP	EMPFOHLENES ÖL	SAE 90 EP
QUANTITA' OLIO INDICATIVA	6 L	APPROXIMATE OIL QUANTITY	200 ozs	MENGE ÖL CA.	6 L
PESO INDICATIVO SCATOLA	115 kg	APPROXIMATE WEIGHT	253 lbs	GETRIEBEGEWICHT CA.	115 kg

2201



RIF. REF. BEZ.	DESCRIZIONE DESCRIPTION BESCHREIBUNG	CODICE CODE BEST.-NR
1	ISO	290290803
	UNC	290290804
2		290290901
3	1 3/4" Z6	295040411
	1 3/4" Z6R=1,94	295044044
	1 3/4" Z20	295383807
4		298600039
5		298645100
6	M10x40 UNI 5773	317018200
7	M10x20 UNI 5739	319002200

RIF. REF. BEZ.	DESCRIZIONE DESCRIPTION BESCHREIBUNG	CODICE CODE BEST.-NR
8		335010001
9	70x2,5 DIN471/1	337001070
10	125x4 DIN472/1	338000125
11		340125000
12	12x30 DIN7979	346012000
13	30214	354404070
14	32313	354406065
	32313B	359405065
15	32211	354408055
16		355006055

RIF. REF. BEZ.	DESCRIZIONE DESCRIPTION BESCHREIBUNG	CODICE CODE BEST.-NR
17		355006070
18	1/2" GAS DIN906	373043000
19	1/2" GAS	373044000
20	1 3/4" Z6 R=4,12:1	447412900
	1 3/4" Z6 R=2,90:1	447290901
	1 3/4" Z6 R=2,92:1	448293700
	1 3/4" Z20 R=2,92:1	448293701
	1 3/4" Z6 R=2,41:1	448241700
	1 3/4" Z20 R=2,41:1	448241701
	1 3/4" Z20 R=1,94:1	448194900